

<b>Theme</b>	<b>Page</b>
Regular installation .....	2
Through-the-wall installation .....	6
Power & control .....	8

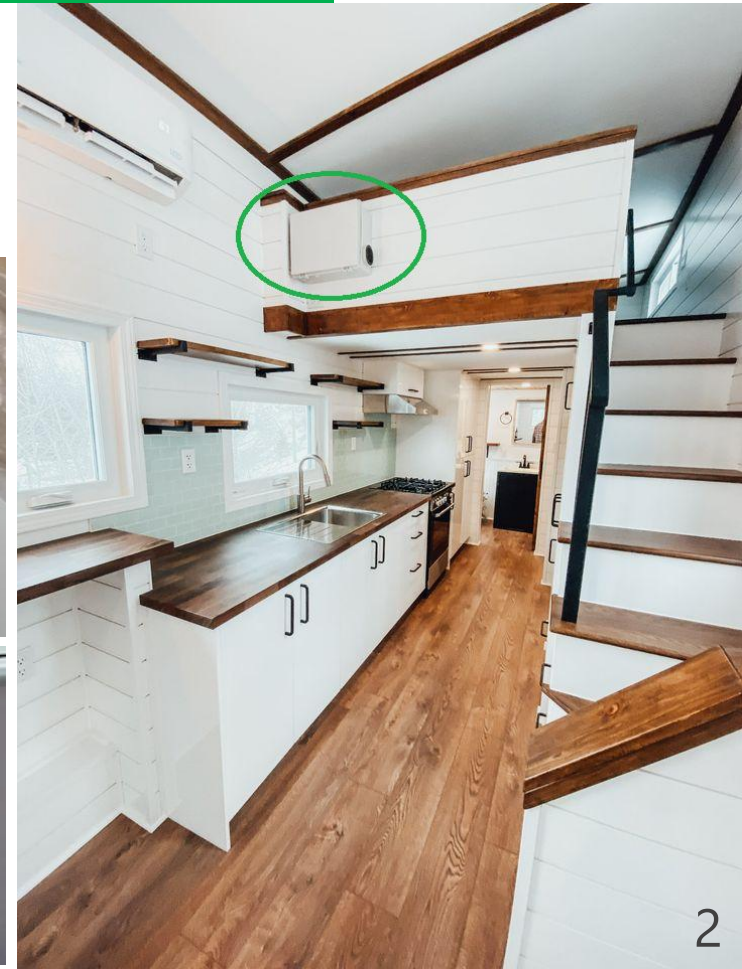
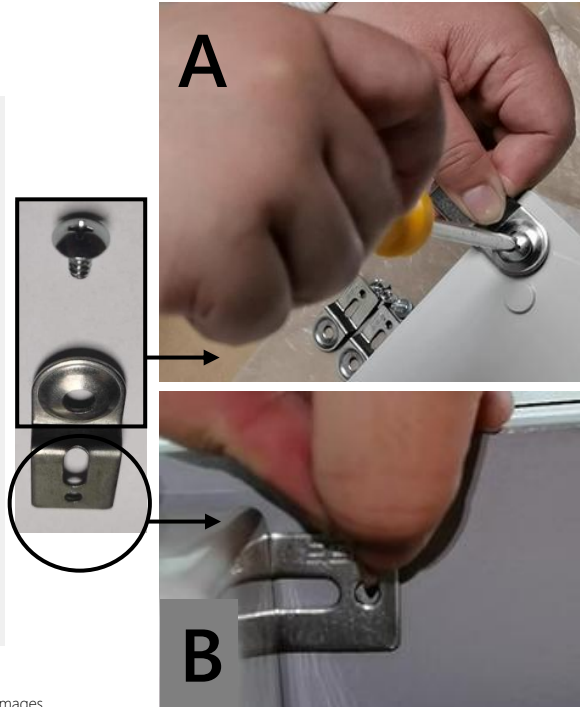
# INSTALLATION GUIDE

## #1

- Mount the product on a wall / ceiling.
- You may also place or mount it on a table / floor.

### Wall / Ceiling Mount

- Fasten 4× brackets to the back of the product (see A).
- Use a pencil to mark the hole or slot of each bracket on the wall or ceiling (see B).
- Attach hooks or nails to the marked points.
- Affix the product to the wall or ceiling.



## #2

→ Create 2× 3-inch (~76 mm) diameter holes.

→ To avoid drilling, use a fabric seal that has 2 zipper orifices.

### Window / Door

- Make a board by cutting a piece of wood or plastic or rigid insulation sheet or Kraft board to at least 4-inch (~102 mm) in width.
- You may buy an off-the-shelf ventilation board.
- Create 2 holes in one board or 1 hole in each of two boards.
- Attach the board(s) to a section of a window / door.
- **Alternatively, a fabric seal can be attached to the edges of the window / door. It may be the best option for a casement or non-sliding window.**
- ✓ The board(s) or fabric material(s) shall be firmly sealed to the edges of the window / door.

### Wall / Ceiling

- Drill 2 holes into the wall / ceiling.
- ✓ The wall or ceiling shall be sufficiently sturdy to install the product.

FABRIC SEAL



BOARD



## #3

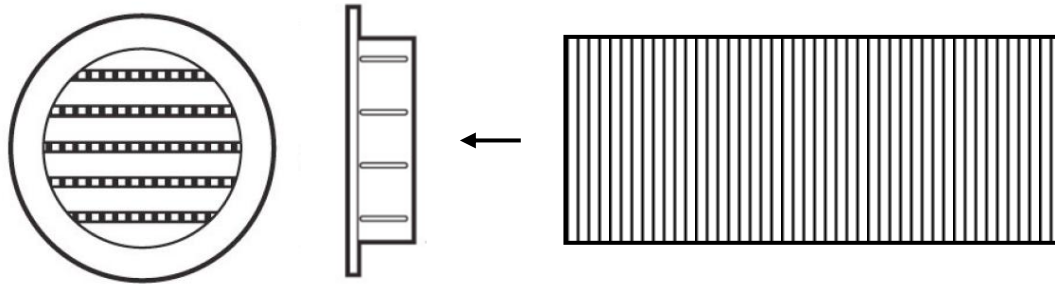
→ Insert 2× ducts into the holes.

- The ducts can be rigid, semi-rigid, or flexible.
- The ducts shall be straight (tension) without sags or bends.
- If possible, please keep each of the supply and exhaust duct lengths to below 5 ft (~1.5 m).

→ Ensure that the zippers are fastened if a fabric seal is used.

→ Attach the ducts to external louvered vents by using tapes or hose clamps.

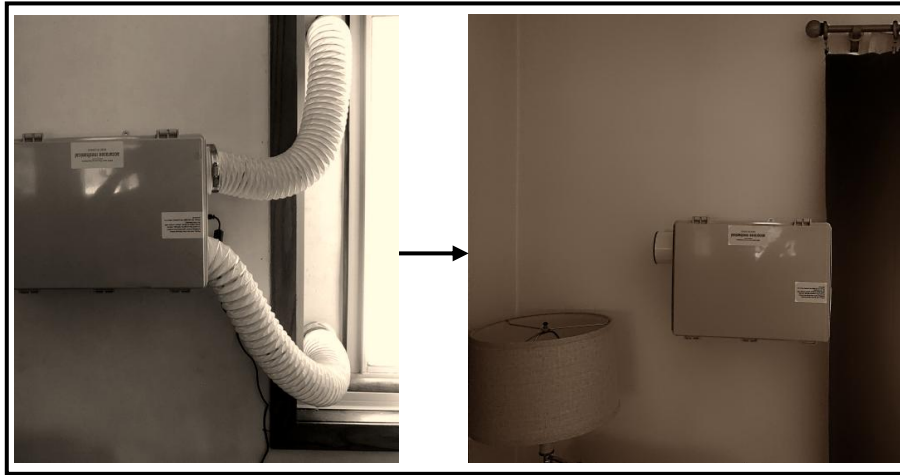
→ The external vents shall not have flaps and dampers.



External louvered vents are available on our [website](#).

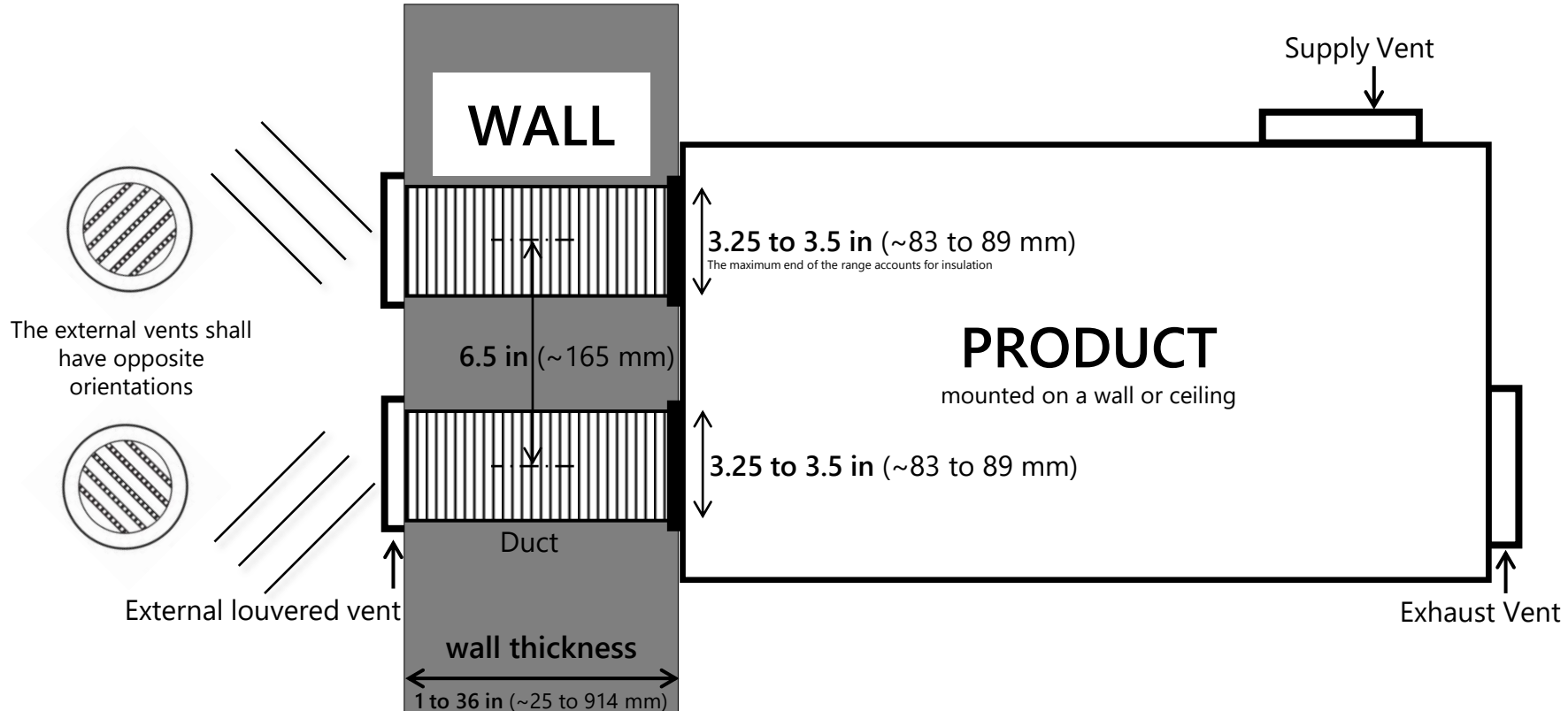
# INSTALLATION GUIDE

## VISIBLE DUCTS



The unit can be installed such that the ducts are positioned either on the left or right hand sides.

## THROUGH-THE-WALL INSTALLATION



**Note.** The ducts shall be insulated to reduce energy losses. The holes can be less than 1 ft apart but the external vents shall be installed such that they have opposite orientations.

# INSTALLATION GUIDE

## INVISIBLE DUCTS

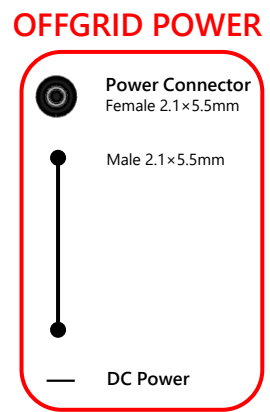
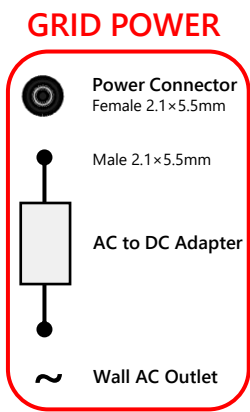
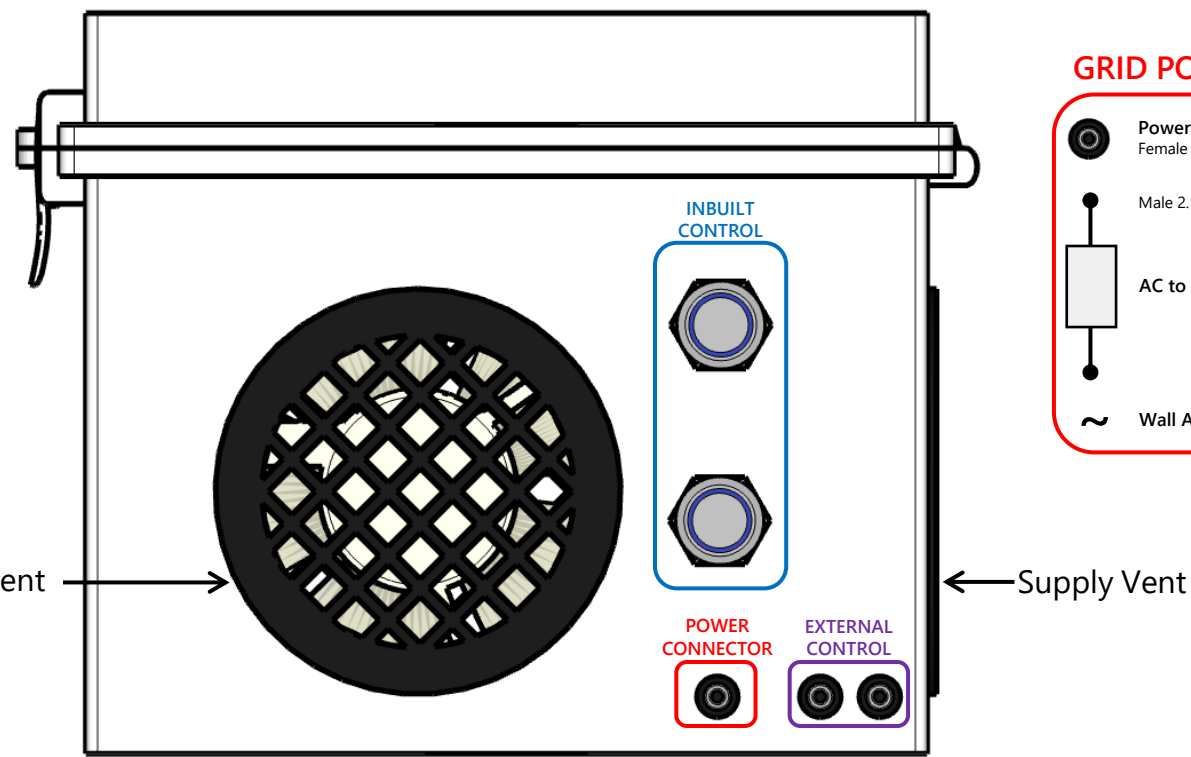


**Note.** Please read the user manual before installing and/or operating the product.

# INSTALLATION GUIDE

## POWER & CONTROL

→ The adapter must be able to handle 12V DC / 2A for CLIMATE and 12V DC / 3A for MINI.



**Note.** Legacy products may have only one switch and/or may not have the external control ports. Failure to comply with the user manual and this guide can damage the product.

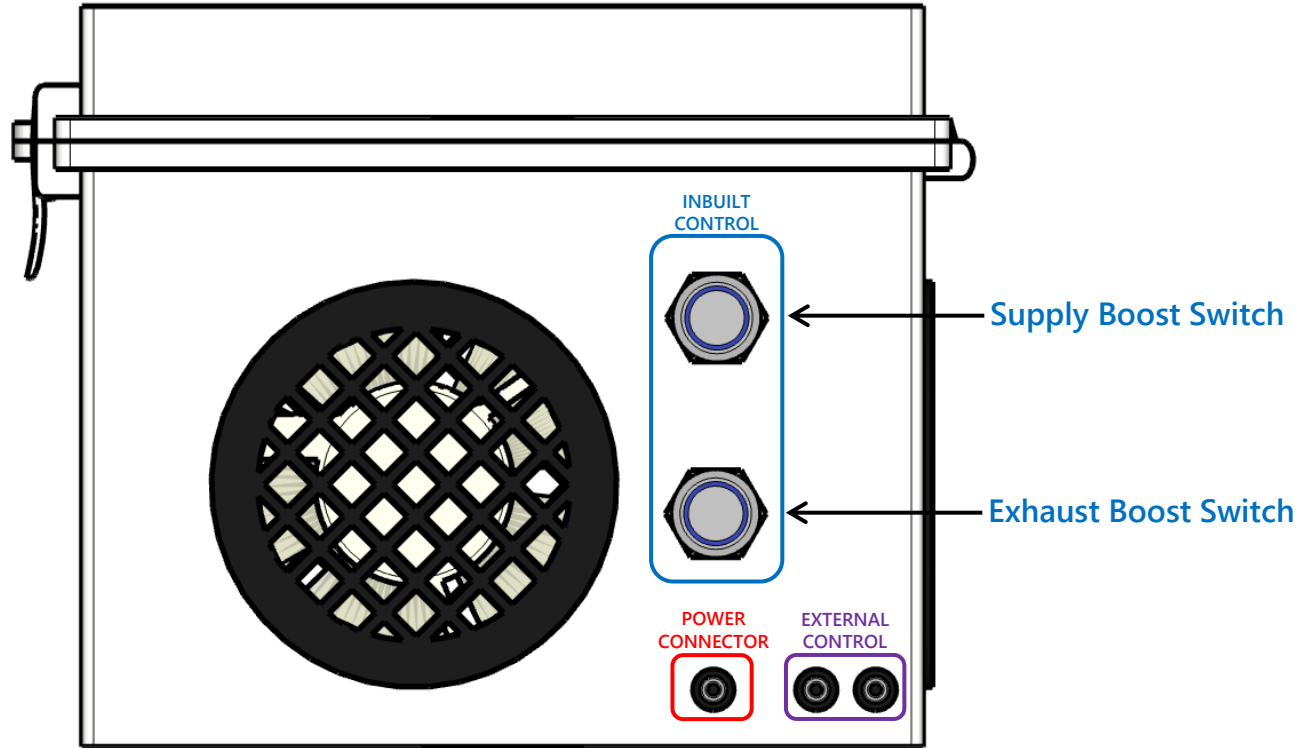


# INSTALLATION GUIDE

## INBUILT CONTROL

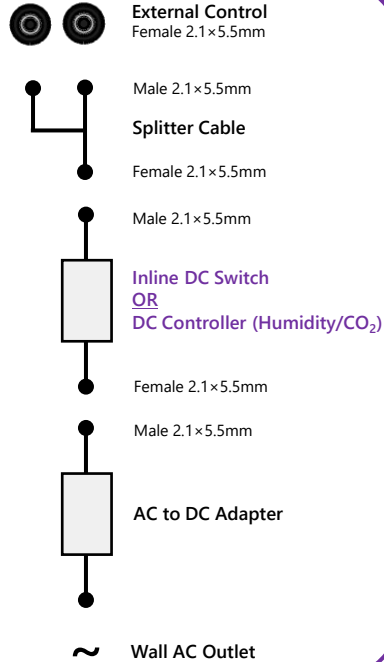
→ The product operates at the normal mode by default.

→ Press a control switch until it latches to activate the boost mode.

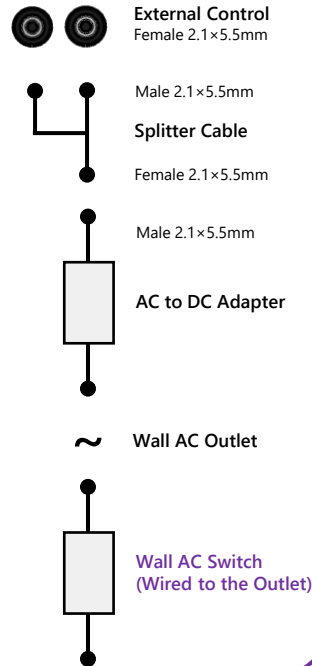


**Note.** Legacy products may have only one switch and/or may not have the external control ports. Failure to comply with the user manual and this guide can damage the product.

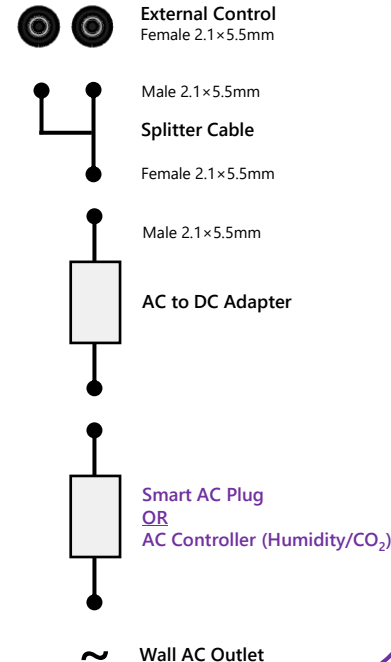
## EXTERNAL CONTROL



METHOD 1



METHOD 2



METHOD 3

→ The product operates at the normal mode by default.

→ The inbuilt control switches shall not be activated when the external control ports are in use.

→ The boost mode is activated when the external control ports are supplied with 8 – 12V DC from a single power source such as an AC to DC adapter that can handle up to 2A for CLIMATE and 3A for MINI.

→ Multiple power sources shall not be connected to the external control ports.

→ The maximum length of cable(s) between the AC to DC adapter or alternative DC power source to the external control ports shall not exceed 25 ft (~7.6m).